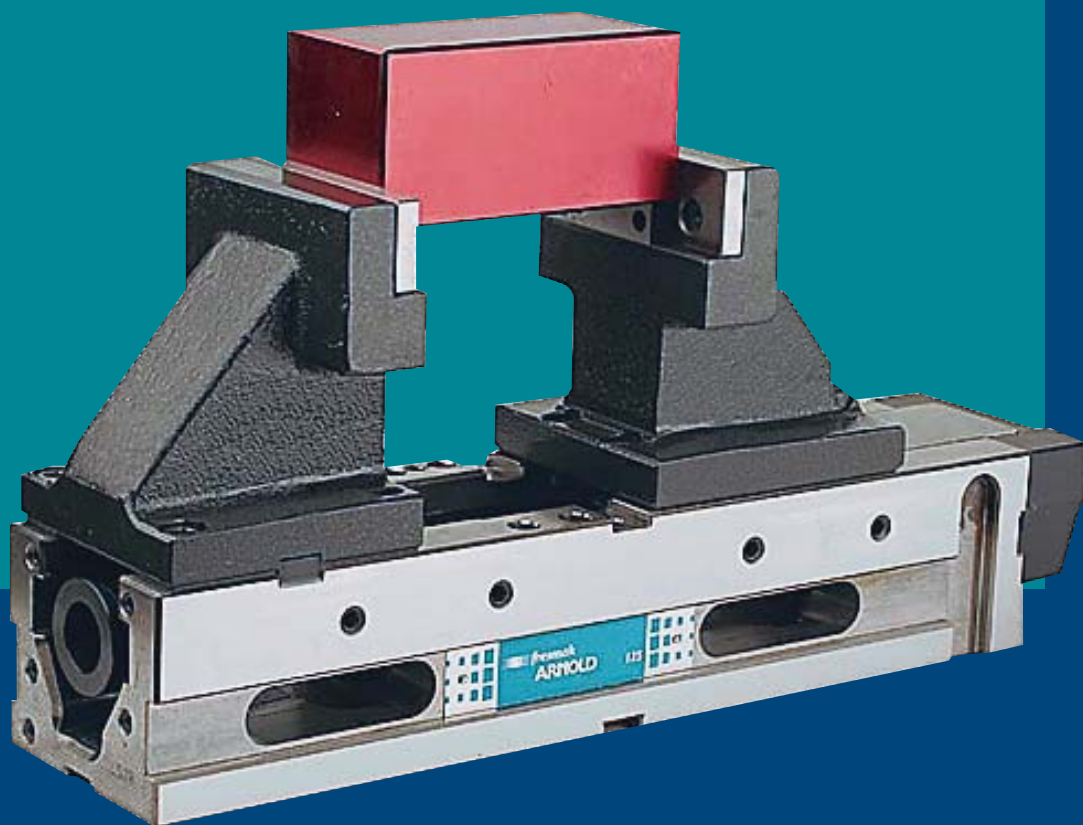


NEW

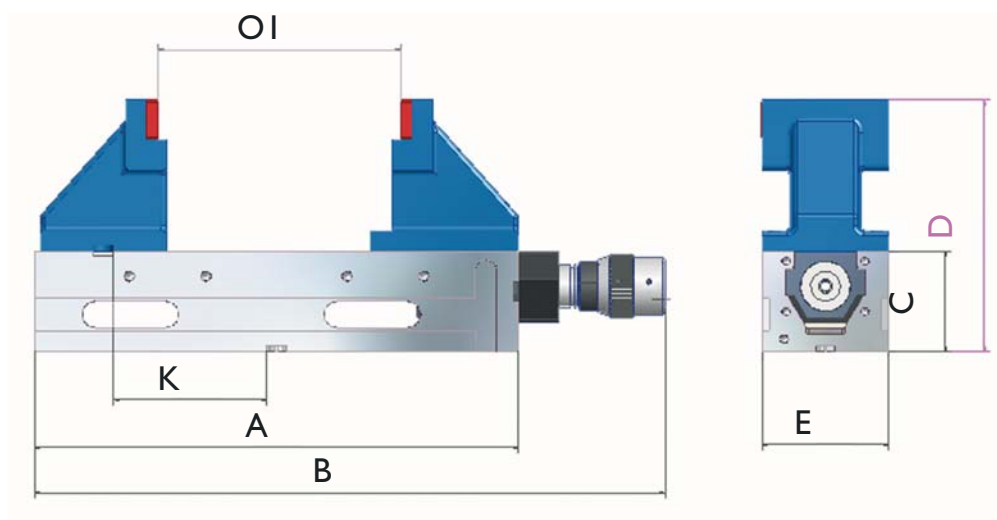
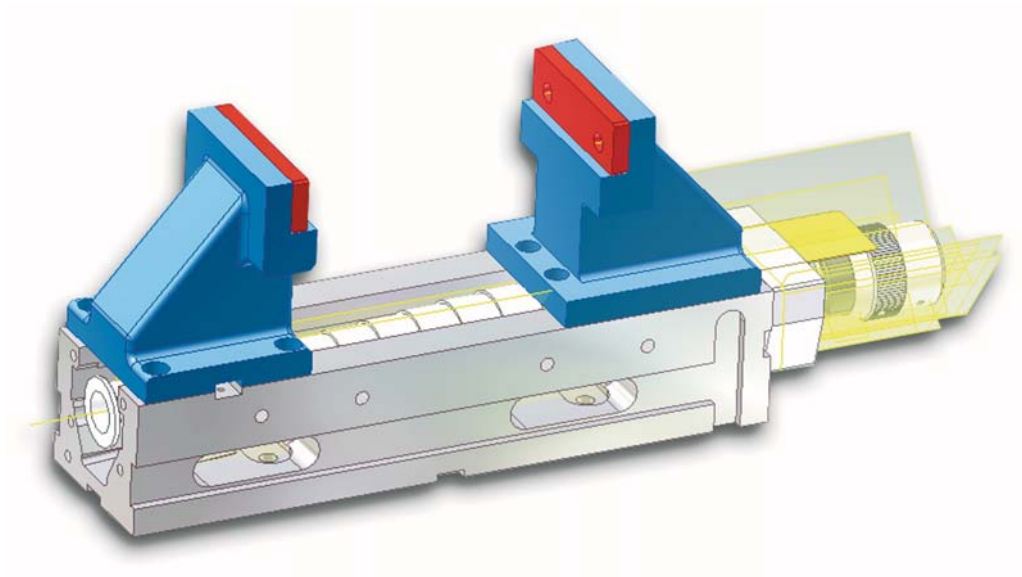


fresmak
ARNOLD



ARNOLD 5X-125

「HIGH PRESSURE VICE FOR FIVE AXIS
MACHINING CENTRES」



ARNOLD 5X high pressure vice						Vices Ref. 050130125	
A	B	C	D	E	K	OI	Clamping power
480	629	100	250	126	152	38-244	4.000 Kg

- Jaw Width 125 mm
- Clamping capacity OI = 0 - 244mm
- High pressure vice (4.000 Kg)
- Spindle with mechanical high pressure intensifier
- High jaws to allow for easy access for machining work-pieces on 5 surfaces
- Possibility of special jaws for specific clamping solutions
- Jaws interchangeable with standard ARNOLD jaws

