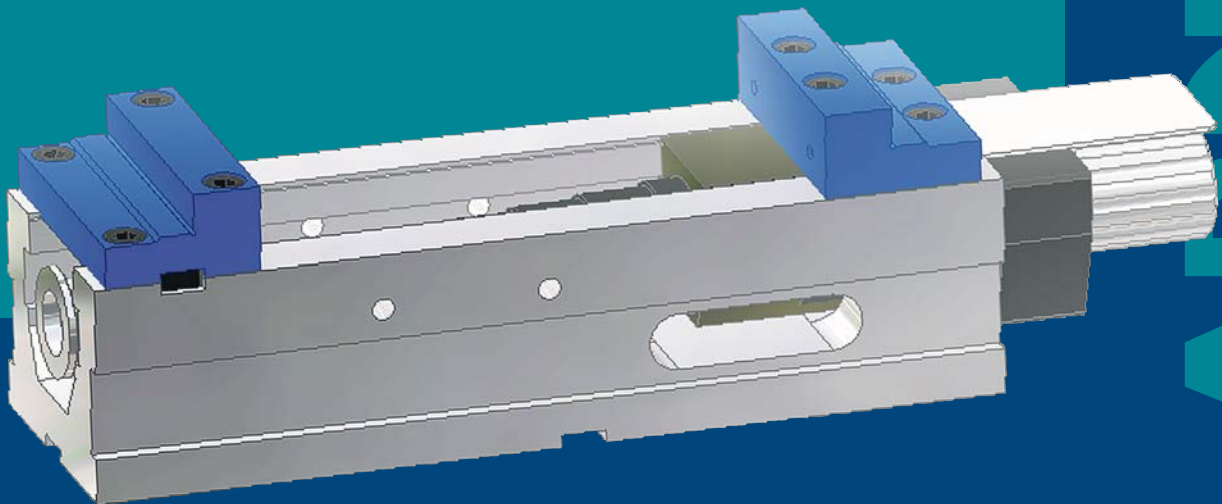


NEW



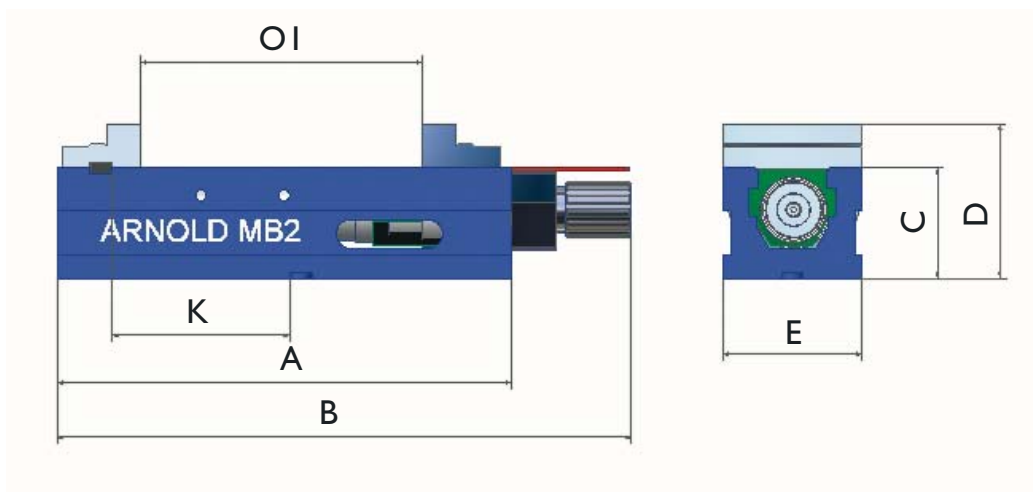
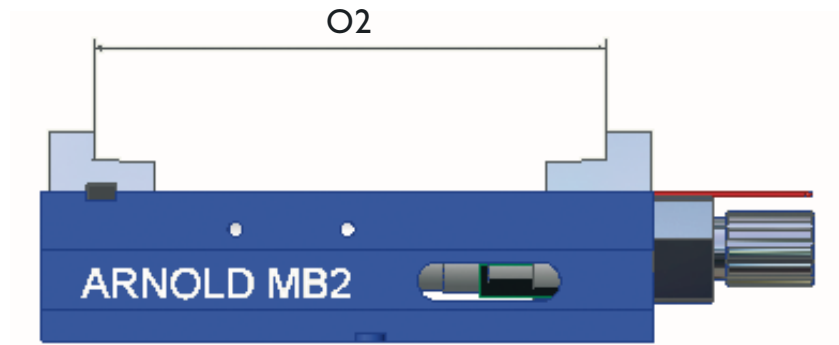
*fresmak*

ARNOLD



[HIGH PRESSURE VICE]

ARNOLD MB2-125



#### High pressure vice **ARNOLD MB2-125**

Vices Ref. **060121125**

A	B	C	D	E	K	O1	O2	Clamping power
410	518	100-0,02	139	126	161±0,02	0-250	80-330	4.000 Kg

- Jaw Width 125 mm
- Clamping capacity O1 = 0-250mm and O2 = 80-330mm
- High pressure vice (4.000 kg)
- Spindle with mechanical high pressure intensifier
- Interchangeable jaws
- Precision
  - hardened (60 Hrc) and ground guide-ways
  - vices individually numbered and registered

#### **OPTIONAL**

- Regulator


  
**fresmak**  
**ARNOLD**